

CLFL50PIR

50W LED Flood Light

PIR Sensor optional

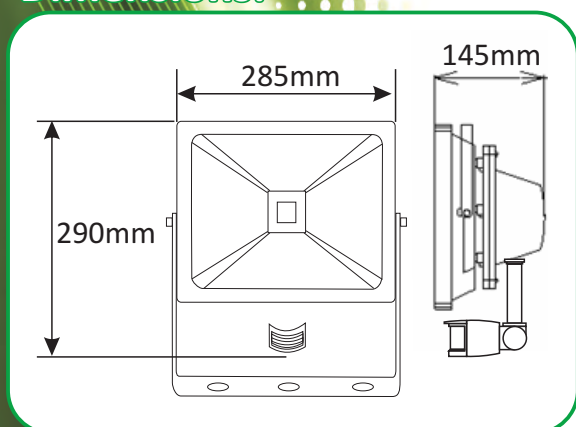
INTRODUCING OUR NEW ULTRA-DISCREET FLOOD LIGHT FOR USE ON SENSITIVE HERITAGE PROPERTIES AND BAT CONSERVATION SITES

Maintenance Free Exterior / Interior Energy Saving LED Floodlight
70% / 80% running cost savings compared to incandescent lamps

Applications Include: Gardens, Bushes/Shrubs, Security Lighting, Porch Lighting and Area Floodlighting, Site Lighting



Dimensions:



- Voltage Range: 110v to 240v
- Nominal. Watts: 50w
- Halogen Equivalent: 250w
- Beam Angle: 120°
- IP65 for floodlight body
- IP44 for PIR sensor*
- PIR Time adjustment: 5 sec ~ 10 min*
- PIR Lux (light level) adjustment: 0 ~ 1000 lux*
- Optional mode settings: Dusk to Dawn.
- Permanent ON – when in Dusk to Dawn and maximum time setting.
- PIR with 110° detection angle
- Up to 12m detection range
- Long Life: 2 years guarantee
- Shatter Resistant Tempered Glass
- Die-Cast Aluminium Casing
- Not Dimmable
- Adjustable Bracket
- Complete with 1.5m cable
- Pulse override facility

BAT-FRIENDLY MODIFICATIONS:-

- Optional front cowl as per photo
- Unique Honeycomb ANTI-GLARE

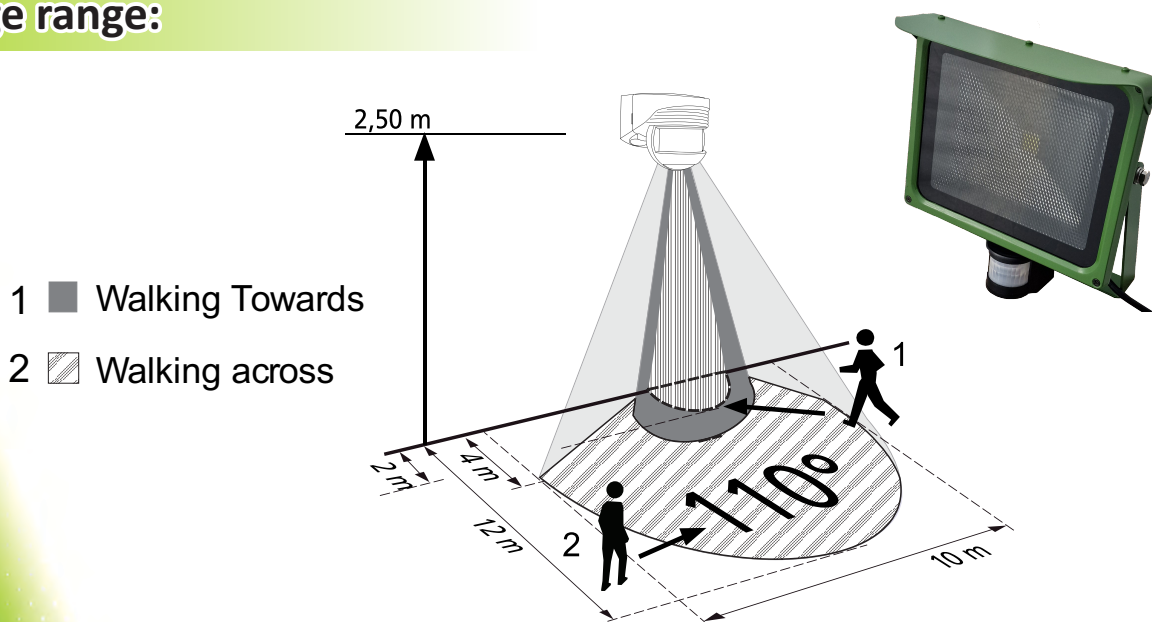
** Optional*

Available colours:

Product Code	Description
FL50WW	LED Flood Light with PIR Sensor 50W Warm White
FL50CW	LED Flood Light with PIR Sensor 50W Cool White

These high performance LED's are of outstanding performance and quality

Coverage range:



Specifications:

Power Requirement	110V - 240V
Lighting Load	Max. 200W
Detection Angle	Up to 110° at 20°C
Detection Distance	Up to 12m at 20°C
Swiveling Angle	Lamp Part: Vertical 90°; Sensor Part: Horizontal 50°, Vertical 40°
Mounting Height	Recommended 1.8 ~ 2.5m (5.9 ~ 8.2 ft) Wall Mount
Time Adjustment	5 sec ~ 10 min
Lux Adjustment	Approx. 0 ~ 1,000 Lux.
Operating Temperature	-20°C ~ +40°C
Protection Class	Class I
Floodlight Protection Rating	IP65
PIR Protection Rating	IP44
Wall Switch Control	Pulse Override
Finish Options	Black, custom colours available